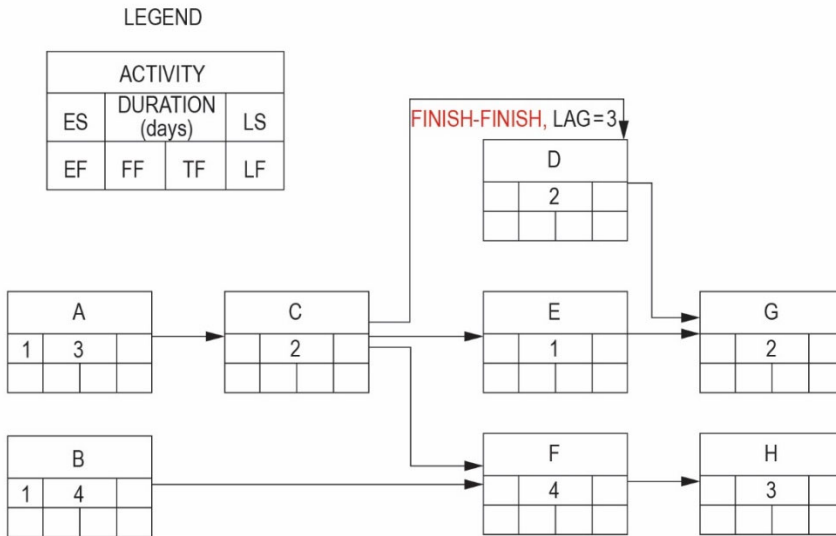


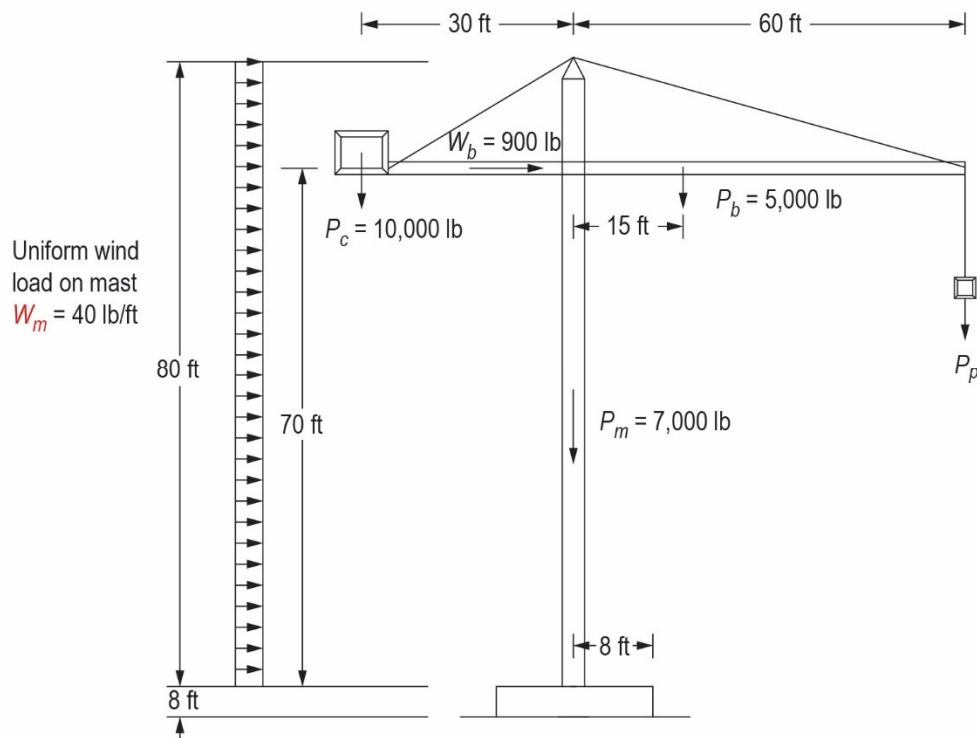
ERRATA for
PE Civil: Construction Practice Exam
 ISBN: 978-1-947801-29-5
 Copyright 2023
 Errata posted 09/01/2025

Revisions are shown in red.

Question 33, p. 24:



Question 62, p. 46:



ERRATA for
PE Civil: Construction Practice Exam
ISBN: 978-1-947801-29-5
Copyright 2023
Errata posted 09/01/2025

Solution 36, p. 77:

Material	Ratio	Weight (lb)	Solid Density (lb/ft³)	Absolute Volume (ft³)
Cement	1	100	195	$100/195 = 0.51$
Sand	1.6	160	165	$160/165 = 0.96$
Coarse	3.0	300	165	$300/165 = 1.82$
Water				$6/7.48 = 0.80$
Total				4.09