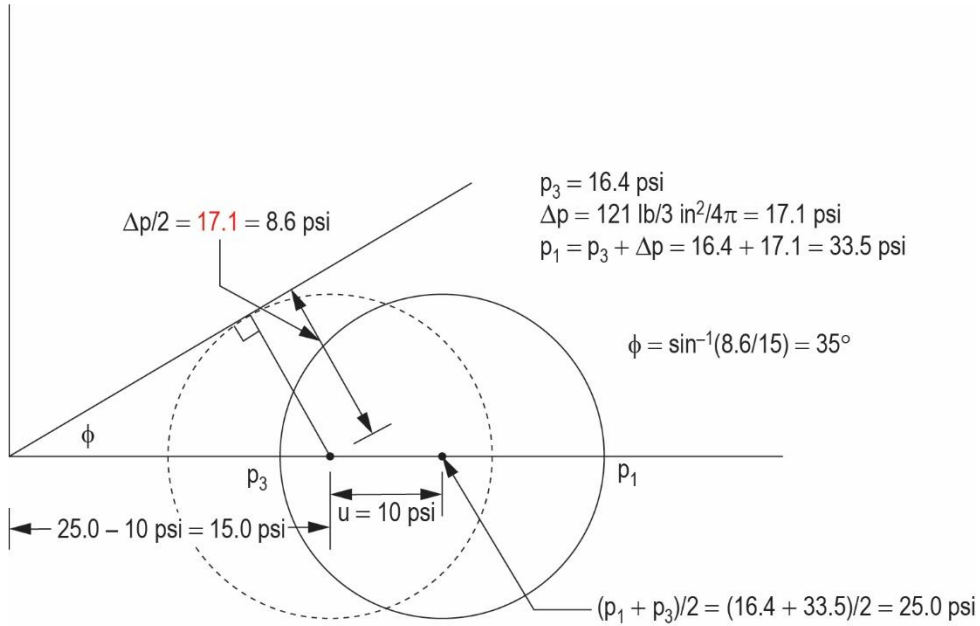


ERRATA for
PE Civil Geotechnical Practice Exam
ISBN: 978-1-947801-19-6
Copyright 2021
Errata posted 5/17/2022

Revisions are shown in red.

Solution 47, p. 82:



ERRATA for
PE Civil Geotechnical Practice Exam
 ISBN: 978-1-947801-19-6
 Copyright 2021
 Errata posted 5/17/2022

Solution 72, p. 90:

Reference: *NCEES PE Civil Reference Handbook*.

Solution 1:

$$e_L = 3 - 1 = 2 \qquad e_B = 2 - 1.5 = 0.5$$

$$e_L/L = 2/6 = 0.33 \qquad e_B/B = 0.5/4 = 0.125$$

Case II, Figure 3.16

$$L_1/L \approx 0.5 \qquad L_2/L = 0.1$$

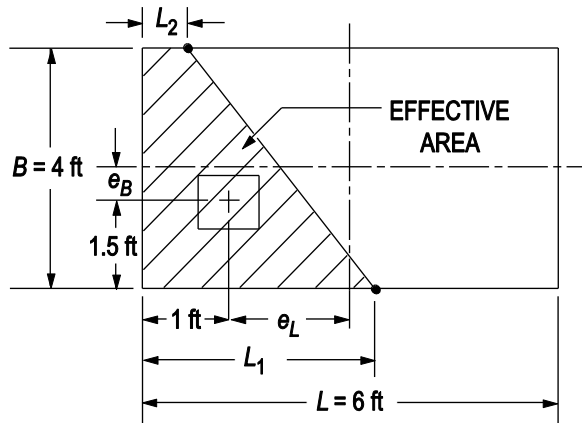
$$L_1/6 = 0.5 \qquad L_2/6 = 0.1$$

$$L_1 = 3.0 \qquad L_2 = 0.6$$

$$A' = 1/2(L_1 + L_2)B$$

$$= 1/2(3.0 + 0.6)4$$

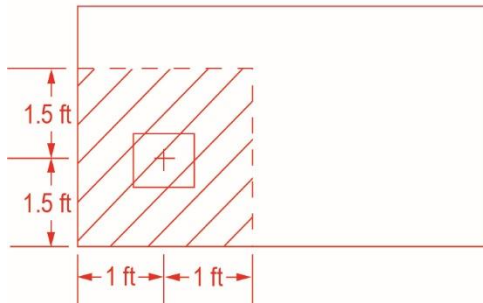
$$= 7.2 \text{ ft}^2$$



Alternate solution:

$$A = 2(1.5) \times 2(1.0)$$

$$= 6.0 \text{ ft}^2$$



THE CORRECT ANSWER IS: B